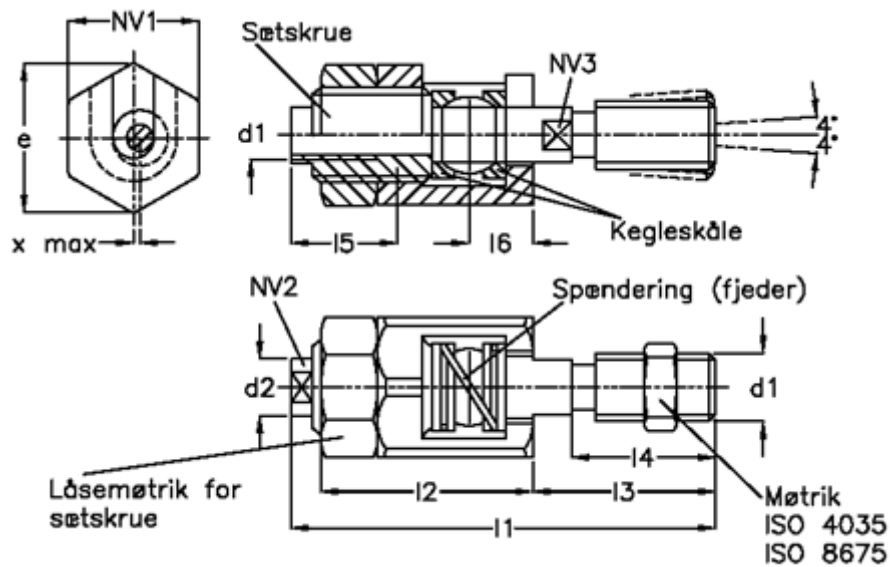


Article number: 20058553

Description: E+G Quick-fit coupling (radial displacement)
GN 240.2-M12x1,25

Measures



d1 = M 12x1,25	l6	= 16.0
d2 = 21.0	Max displacement	= 0.7
e = 44.0	Max push-pull strength N	= 10000
l1 = 85	NV 1	= 41
l2 = 43	NV 2	= 18
l3 = 34.5	NV 3	= 12
l4 = 26		
l5 = 24		